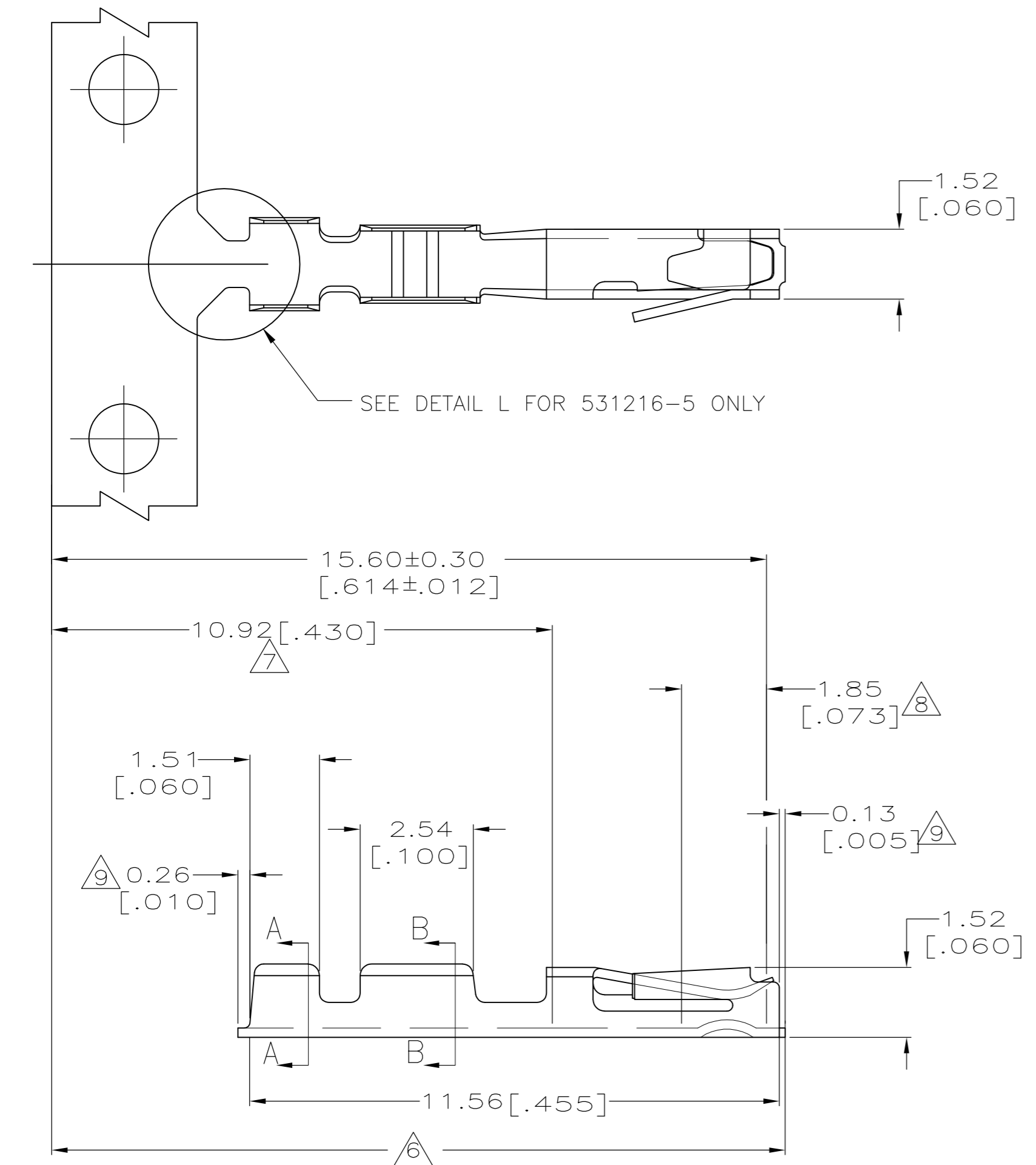


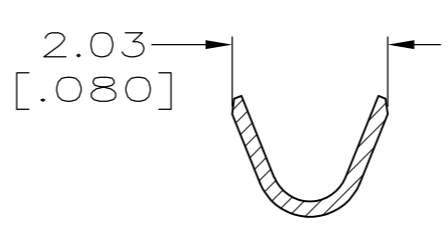
THIS DRAWING IS UNPUBLISHED. RELEASED FOR PUBLICATION
 © COPYRIGHT BY TYCO ELECTRONICS CORPORATION. ALL RIGHTS RESERVED.

LOC	DIST	REVISIONS			
P	LTR	DESCRIPTION	DATE	DWN	APVD
	A	REV PER EC 0S12-0647-04	10MAY05	JA	SF
	A1	REVISED PER ECO-09-024927	10NOV09	KK	AEG

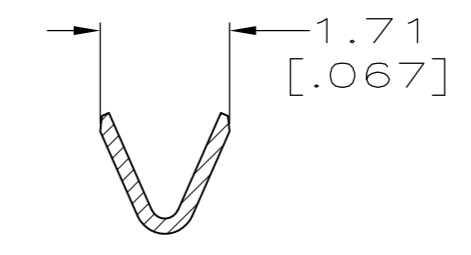


SEE DETAIL L FOR 531216-5 ONLY

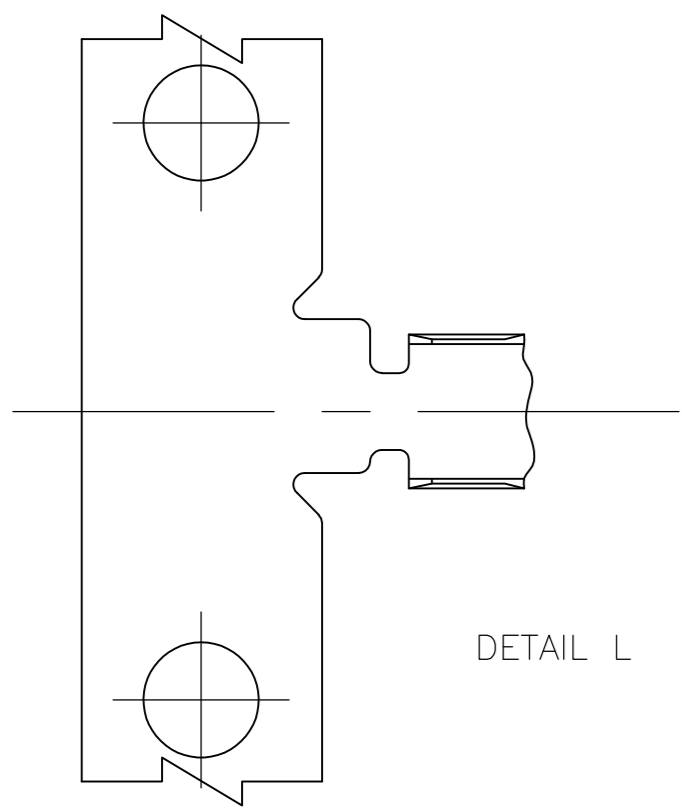
1. WIRE RANGE 22-26 AWG.
2. INSULATION RANGE 0.91-1.37 [.036-.054] DIA.
3. PREPLATED 0.00127 [.000050] MIN MATTE TIN IN ZONES I & II, 0.000762 [.000030] MIN GOLD OVER 0.000762 [.000030] MIN NICKEL INLAY IN ZONE III.
4. PREPLATED 0.00127 [.000050] MIN MATTE TIN IN ZONES I & II, 0.00127 [.000050] MIN GOLD OVER 0.000762 [.000030] MIN NICKEL INLAY IN ZONE III.
5. PHOSPHOR BRONZE.
6. ZONE I (OUTSIDE SURFACES).
7. ZONE II (INSIDE SURFACES).
8. ZONE III (INSIDE SURFACES).
9. MAXIMUM CUTOFF.
10. OBSOLETE PARTS: OBSOLETE CIS STREAMLINING PER D.RENAUD/D.SINISI



SECTION A-A



SECTION B-B



DETAIL L

10 OBSOLETE	4	5531216-6	5531216-5
	4	5531216-4	5531216-3
	3	5531216-2	5531216-1
		FINISH	LOOSE PIECE PART NO
			STRIP PART NO

THIS DRAWING IS A CONTROLLED DOCUMENT.		DWN J. ALCORTA - DOCK5 10MAY05	Tyco Electronics Corporation Harrisburg, PA 17105-3608	
DIMENSIONS: mm [INCHES]		CHK A. FRANTUM 10MAY05	NAME S. FLICKINGER	
TOLERANCES UNLESS OTHERWISE SPECIFIED:		APVD S. FLICKINGER 10MAY05	PRODUCT SPEC 108-25031	
0 PLC ± -	1 PLC ± -	APPLICATION SPEC 114-25021	SIZE A2	CAGE CODE 00779
2 PLC ± -	3 PLC ± 0.13[.005]	WEIGHT -	DRAWING NO C=5531216	RESTRICTED TO -
4 PLC ± -	ANGLES ± -	CUSTOMER DRAWING	SCALE 4:1	SHEET 1 OF 1
MATERIAL 5531216-4	FINISH -		REV A1	